

Output transformer				Push Pull (With SG tap)							
MODEL	Output (W)	Impedance		Frequency Response (± 1 dB)	Insertion Loss	Maximum DC Current		Primary Inductance		Size Weight (Kg)	Applications
		Primary	Secondary			Balance	Unbalance	Balance	Unbalance		
HW-100-5	100 30Hz	5k Ω	4, 8, 16 Ω	10 ~ 60kHz	0.15dB	150mA \times 2	5.5 mA	200H	125H	WE-114 (6.2)	KT-88, EL-34, EL-156 6S50A, 6L6GC, 300B
HW-60-5	60 30Hz	5k Ω	4, 8, 16 Ω	10 ~ 70kHz	0.2 dB	125mA \times 2	4.0 mA	200H	125H	WE-102 (4.1)	KT-88, EL-34, 300B 6S50A, 6L6GC
HW-40-10	40 45Hz	10k Ω	4, 8, 16 Ω	10 ~ 60kHz	0.2 dB	90mA \times 2	2.8 mA	250H	150H	WE-85 (2.4)	6V6, VT-62/801A 6F6, VT-25/10, 42
HW-40-8	40 45Hz	8k Ω	4, 8, 16 Ω	10 ~ 60kHz	0.2 dB	100mA \times 2	3.5 mA	200H	130H	WE-85 (2.4)	6L6GC, 6BQ5 6F6, 6V6, KT-66
HW-40-5	40 45Hz	5k Ω	4, 8, 16 Ω	10 ~ 60kHz	0.2 dB	125mA \times 2	4.0 mA	150H	90H	WE-85 (2.4)	EL-34, 2A3, 6A3, 45 6L6GC, 6B4G, VT52
HW-25-8	25 45Hz	8k Ω	4, 8, 16 Ω	10 ~ 70kHz	0.3 dB	75mA \times 2	3.5 mA	180H	110H	WE-85 (2.4)	6V6, 6BQ5, 71A 6F6, 7189A
HW-25-5	25 45Hz	5k Ω	4, 8, 16 Ω	10 ~ 70kHz	0.3 dB	100mA \times 2	4.0 mA	130H	80H	WE-85 (2.4)	2A3, 6B4G, VT52 6A3, 6BM8
HW-15-8	15 50Hz	8k Ω	4, 8, 16 Ω	15 ~ 50kHz	0.35 dB	60mA \times 2	5.0 mA	120H	85H	WE-66 (1.3)	6V6, 6BQ5, 6BX7, 6F6, 6AC5, 6GW8
HW-15-5	15 50Hz	5k Ω	4, 8, 16 Ω	15 ~ 50kHz	0.35 dB	75mA \times 2	5.0 mA	75H	60H	WE-66 (1.3)	VT52, 2A3, 6BM8 6B4G, 71A, 6L6(T)

●Insulation Resistance:DC500V 100M Ω min. ●Dielectric Withstanding:AC1.5KV 1min.

Output transformer				Single (With SG tap)				※ Without H-20-14U SG tap			
MODEL	Output (W)	Impedance		Frequency Response (± 2 dB)	Insertion Loss	Primary Inductance / DC Current	Maximum DC Current	Size Weight (Kg)	Applications		
		Primary	Secondary								
H-30-5S	30 50Hz	5k Ω	4, 8, 16 Ω	25 ~ 70kHz	0.3 dB	25H at 80mA	160 mA	WE-102 (4.1)	PX-25, UX-50 DA-30/PX-25A		
H-30-3.5S	30 50Hz	3.5k Ω	4, 8, 16 Ω	25 ~ 80kHz	0.3 dB	20H at 100mA	200 mA	WE-102 (4.1)	300B, PX25 6S50A, 6L6GC		
※ H-20-14U	20 50Hz	10k Ω / 14k Ω	4, 8, 16 Ω	30 ~ 50kHz	0.3 dB	40H at 50mA(10k Ω) 50H at 45mA(14k Ω)	80 mA	WE-85 (2.4)	6V6, VT-62/801A, 42 6F6, VT-25/10		
H-20-7U	20 50Hz	5k Ω / 7k Ω	4, 8, 16 Ω	25 ~ 70kHz	0.3 dB	23H at 70mA(5k Ω) 30H at 60mA(7k Ω)	100 mA	WE-85 (2.4)	6V6, 6L6GC, 6BQ5 6F6, KT-66, VT52, 45		
H-20-3.5U	20 50Hz	2.5k Ω / 3.5k Ω	4, 8, 16 Ω	25 ~ 90kHz	0.3 dB	13H at 100mA(2.5k Ω) 18H at 80mA(3.5k Ω)	140 mA	WE-85 (2.4)	300B, EL-34, 2A3 6B4G, 6L6GC, 6A3		
H-507S	7 50Hz	7k Ω / 5k Ω	4, 8, 16 Ω	45 ~ 100kHz ± 3 dB	0.6 dB	15H at 50mA(5k Ω) 20H at 40mA(7k Ω)	65 mA	WE-66 (1.3)	6V6, 6BQ5, 71A 6F6, 7189A, 6AC5		
New H-203S	7 50Hz	2.5k Ω / 3.5k Ω	4, 8, 16 Ω	45 ~ 100kHz ± 3 dB	0.6 dB	9H at 60mA(3.5k Ω) 6.5H at 70mA(2.5k Ω)	90 mA	WE-66 (1.3)	2A3, 6B4G, 6A3,300B 6L6, EL34, PX4,KT88		

●Insulation Resistance:DC500V 100M Ω min. ●Dielectric Withstanding:AC1.5KV 1min.

Interstage Driver transformer			Single / Push Pull				
MODEL	Primary Impedance	Turns Ratio	Frequency Response (± 2 dB)	Primary Inductance	Primary DC Current Series / Parallel	Size Weight (Kg)	Applications
A-107	7k Ω	1 \times 2 : 2 \times 2	25 ~ 25kHz	70H-10mA 80H-5mA	10mA / 20mA	WE-60 (0.8)	12AU7, 76 6SN7, 5687
A-105	5k Ω	1 \times 2 : 1 \times 2	25 ~ 40kHz	50H-15mA 60H-7mA	15mA / 30mA	WE-60 (0.8)	5687, 6AH4GT 6S4A, 6BQ5(T)

●Insulation Resistance:DC500V 100M Ω min. ●Dielectric Withstanding:AC1.5KV 1min.

Line Output transformer			Single / Push Pull				
MODEL	Impedance		Frequency Response (-2dB)	Insertion Loss	Rated DC Current	max. DC Current	Size Weight (Kg)
	Primary	Secondary					
HL-20K-6	20K Ω	600 Ω /150 Ω Split	25 ~ 45kHz	0.7 dB	15mA	30mA	WE-60 (0.8)
HL-10K-6	10K Ω	600 Ω /150 Ω Split	20 ~ 45kHz	0.7 dB	15mA	35mA	WE-60 (0.8)

●Insulation Resistance:DC500V 100M Ω min. ●Dielectric Withstanding:AC1.5KV 1min.

MC Stepup transformer		For MC Phono Pickup Cartridge			
MODEL	Primary Impedance	Secondary Load Impedance		Stepup Rate/Gain	Size Weight (Kg)
		Rated Load impedance	Recommendation Rated Load impedance		
New HM-3	Primary Series Connection 12 (7 ~ 40)	4.7K Ω	47K Ω	20Times/26dB	WE-60L ※ WE-60 L H55(mm) (0.5)
	Primary Parallel Connection 3 (2 ~ 7)	4.7K Ω	47K Ω	40Times/32dB	

Power transformer		(Equipped With Static Shield , Magnetic Shield)			
MODEL	Specifications			Size Weight (Kg)	Applications
	Primary	Secondary			
PT-400B	100V	20V-0-280V-320V-360V-0.72A(450mA DC: Bridge Rectifier) 75V-0-75V-0.15A, 6.3V-4A(X2), 6.3V-2A(X2)		WE-114 (7.1)	KT88, EL34, EL156
PT-300B	100V	20V-0-280V-310V-350V-0.53A(330mADC: Bridge Rectifier) 0-70V-0.12A, 6.3V-3.5A(X2), 6.3V-2A(X2)		PB-114 (5.9)	KT88, KT66, EL34, 6L6GC
PT-270	100V	320V-280V-0-60V-280V-320V-0.275A 0-2.5V-6.3V-5A(X2), 6.3V-2.5A, 5V-3A		PB-114 (5.8)	KT88,KT66, VT52, 6L6GC, EL34/6CA7 6550A, 6B4G, 12E1, 2A3, 6L6G/CV1947
PT-260	100V	480V-420V-240V-0-240V-420V-480V-0.17A 0-6.3-7.5V-5A(X2), 6.3V-3A, 5V-3A Vacuum Tube Rectifier ①Choke Input 250mA ②Capacitor Input 170mA		PB-114 (5.7)	①Single (Stereo),Push Pull (Monoral) VT52, 6B4G, 6A3, KT66, 350B ②Single (Stereo),Push Pull (Monoral) VT25, VT62, 50, 6L6GC, EL34
PT-250	100V	500V-380V-240V-0-240V-380V-500V-0.15A 7.5V-4.5A(X2), 6.3V-3A, 5V-3A		PB-114 (5.7)	10, VT25, VT25A, 801A, VT62, 50
PT-240	100V	480V-420V-240V-0-240V-420V-480V-0.17A 0-2.5-5V-5.5A(X2), 6.3V-3A, 5V-3A Vacuum Tube Rectifier ①Choke Input 250mA ②Capacitor Input 170mA		PB-114 (5.7)	①Single (Stereo),Push Pull (Monoral) 2A3, 300B, 45, PX4, PX25 ②Single (Stereo),Push Pull (Monoral) PX25A, DA30, 300B
PT-220	100V	380V-320V-0-100V-320V-380V-0.2A 0-4V-5V-3A(X2), 0-6.3V-10V-2.5A, 5V-3A		PB-114 (5.2)	300B, PX25, PX4,
PT-180	100V	280V-250V-0-60V-250V-280V-0.22A 6.3V-2.5A(X3), 5V-3A		PB-102 (4.3)	6V6, 6F6, 6L6GC, 6BM8, 6B4G 6BQ5, 7189A, R120, 42
PT-160	100V	320V-280V-0-280V-320V-0.14A 0-2.5V-6.3V-3A(X2), 6.3V-2.5A, 5V-3A		PB-102 (3.9)	2A3, 6A3, PX4, VT52, E406N, 6AC5, 6B4G, KT66, 6BQ5, 6F6, 6V6, 6BM8, 71A, 42, 45, 46
PT-150	100V	280V-250V-220V-0-220V-250V-280V-0.16A 0-6.3V-2A(X3), 5V-3A		PB-102 (3.9)	6V6, 6F6, 6BM8, 6AC5, 42, 71A, 7189A 6BQ5,6GW8,KT88, KT66, 6550A, EL34, VT52, 6B4G, 6L6GC, 12E1
PT-100	100V	280V-250V-0-250V-280V-0.1A 0-5V-6.3V-2A(X2), 0-6.3V-2A, 5V-2A		PB-95 (2.8)	6F6, 6BQ5, 6AC5, (For Stereo Preamplifier) 6BM8, 71A, 6V6, 42
PT-60	100V	260V-0-260V-35mA 0-15V-2A, 6.3V-1A		PB-78 (1.7)	For Stereo Preamplifier


●Insulation Resistance:DC500V 100MΩ min. ●Dielectric Withstanding:AC1.5KV 1min.

Choke Coil		(Equipped With Magnetic Shield)			
MODEL	Specifications				Size Weight (Kg)
	Inductance	Rated DC Current	max. DC Current	DC Resistance	
C-60-50W	60H/15H	50mA/100mA	60mA/120mA	840/210 Ω	WE-66 (1.3)
C-16-150W	16H/4H	150mA/300mA	180mA/360mA	200/50 Ω	WE-85 (3.0)
C-10-200W	10H/2.5H	200mA/400mA	250mA/500mA	140/35 Ω	WE-85 (3.0)
C-10-130W	10H/2.5H	130mA/260mA	150mA/300mA	160/40 Ω	WE-66 (1.3)
C-6-250W	6H/1.5H	250mA/500mA	280mA/560mA	88/22 Ω	WE-85 (3.0)
C-30-40	30H	40mA	50mA	460 Ω	CB-60 (0.7)
C-1-400	1H	400mA	450mA	18 Ω	CB-68 (0.85)
New C-30-80W	30H/7.5H	80mA/160mA	90mA/180mA	440/110 Ω	WE-66 (1.3)

●Insulation Resistance:DC500V 100MΩ min. ●Dielectric Withstanding:AC2.0KV 1min.

Choke Coil (Choke Input Circuit)		(Equipped With Magnetic Shield)				
MODEL	Specifications					Size Weight (Kg)
	Inductance and DC Current	max. DC Current	DC Resistance	max. AC Input Voltage	min. Operating Current	
C-25-150CH	25H-150mA	200mA	205 Ω	700V MAX	30mA MIN	WE-85 (2.4)
C-15-200CH	15H-200mA	240mA	130 Ω	600V MAX	40mA MIN	WE-85 (2.4)

●Insulation Resistance:DC500V 100MΩ min. ●Dielectric Withstanding:AC2.0KV 1min.

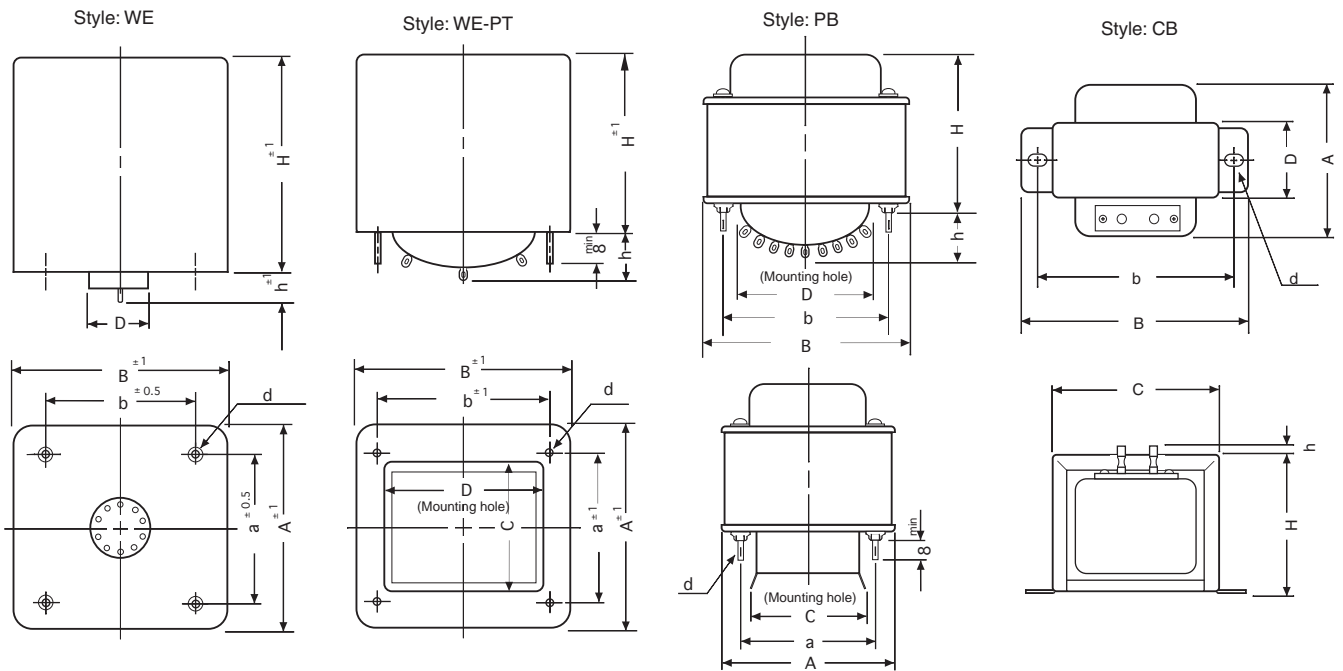
 Hashimoto Electric Co.,Ltd. licensed by the SANSUI transformer.



HASHIMOTO ELECTRIC CO.,LTD.
2-17-11, Tateishi, Katushika-Ku, Tokyo 124-0012, Japan
Tel. 81-3-3691-4173 Fax. 81-3-3691-9416
<http://www.hashimoto-trans.co.jp>

● Design and specifications subject to change without notice

Dimensions



Model	Style	Dimensions(mm)										Weight (Kg)
		A	B	a	b	C	D	H	h	d	D	
HW-100-5	WE-114	124	136	80	80	—	—	120	15	M4	29	6.2
HW-60-5	WE-102	100	110	80	80	—	—	120	15	M4	29	4.1
HW-40-10	WE-85	80	88	55	60	—	—	110	15	M4	29	2.4
HW-40-8	WE-85	80	88	55	60	—	—	110	15	M4	29	2.4
HW-40-5	WE-85	80	88	55	60	—	—	110	15	M4	29	2.4
HW-25-8	WE-85	80	88	55	60	—	—	110	15	M4	29	2.4
HW-25-5	WE-85	80	88	55	60	—	—	110	15	M4	29	2.4
HW-15-8	WE-66	66	66	40	40	—	—	85	15	M3	29	1.3
HW-15-5	WE-66	66	66	40	40	—	—	85	15	M3	29	1.3
H-30-5S	WE-102	100	110	80	80	—	—	120	15	M4	29	4.1
H-30-3.5S	WE-102	100	110	80	80	—	—	120	15	M4	29	4.1
H-20-14U	WE-85	80	88	55	60	—	—	110	15	M4	29	2.4
H-20-7U	WE-85	80	88	55	60	—	—	110	15	M4	29	2.4
H-20-3.5U	WE-85	80	88	55	60	—	—	110	15	M4	29	2.4
H-507S	WE-66	66	66	40	40	—	—	85	15	M3	29	1.3
H-203S	WE-66	66	66	40	40	—	—	85	15	M3	29	1.3
A-107	WE-60	58	52	40	40	—	—	85	15	M3	29	0.8
A-105	WE-60	58	52	40	40	—	—	85	15	M3	29	0.8
HL-20K-6	WE-60	58	52	40	40	—	—	85	15	M3	29	0.8
HL-10K-6	WE-60	58	52	40	40	—	—	85	15	M3	29	0.8
PT-400B	WEPT-114	124	136	76	95	65	83	120	25	M4	—	8.7
PT-300B	PB-114	100	120	76	95	65	83	110	32	M4	—	5.9
PT-270	PB-114	100	120	76	95	65	83	110	32	M4	—	5.8
PT-260	PB-114	100	120	76	95	65	83	110	32	M4	—	5.7
PT-250	PB-114	100	120	76	95	65	83	110	32	M4	—	5.7
PT-240	PB-114	100	120	76	95	65	83	110	32	M4	—	5.7
PT-220	PB-114	100	120	76	95	65	83	100	32	M4	—	5.2
PT-180	PB-102	93	107	70	87	60	81	95	32	M4	—	4.3
PT-160	PB-102	93	107	70	87	60	81	85	32	M4	—	3.9
PT-150	PB-102	93	107	70	87	60	81	85	32	M4	—	3.9
PT-100	PB-95	86	100	65	80	56	71	73	32	M4	—	2.8
PT-60	PB-78	70	83	54	66	48	57	69	28	M4	—	1.7
C-60-50W	WE-66	66	66	40	40	—	—	85	15	M3	29	1.3
C-16-150W	WE-85	80	88	55	60	—	—	110	15	M4	29	3.0
C-10-200W	WE-85	80	88	55	60	—	—	110	15	M4	29	3.0
C-10-130W	WE-66	66	66	40	40	—	—	85	15	M3	29	1.3
C-6-250W	WE-85	80	88	55	60	—	—	110	15	M4	29	3.0
C-30-80W	WE-66	66	66	40	40	—	—	85	15	M3	29	1.3
C-30-40	CB-60	62	86	—	75	62	33	54	3	4.5x6.5	—	0.7
C-1-400	CB-66	63	90	—	80	71	32	60	3	4.5x6.5	—	0.85
C-25-150CH	WE-85	80	88	55	60	—	—	110	15	M4	29	2.4
C-15-200CH	WE-85	80	88	55	60	—	—	110	15	M4	29	2.4
C-50-30	WE-60	58	52	40	40	—	—	85	15	M3	29	0.85
HM-3	WE-60L	58	52	40	40	—	—	55	15	M3	29	0.5