

Audio Output Transformer LL2811

LL2811 is an audio output transformer for balanced drive, with the following features:

1. Four section winding structure for small leakage inductance.
2. Ideally used 2 : 1 (secondaries in parallel) with e.g. NE5532 op amps for low noise.
3. Precision made audio C core for small size.
4. Two-coil structure and mu-metal housing for high magnetic noise immunity.
5. Designed to fit three in a row across a Euroboard.

The secondaries can be connected in parallel for low output impedance or in series for high output level.

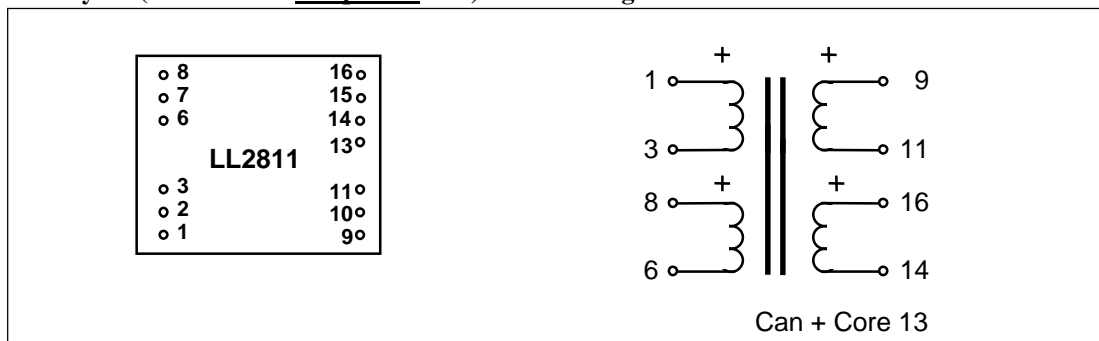
Turns ratio:

1 + 1: 1 + 1

Dims: (Length x Width x Height above PCB (mm))

31 x 26x 23

Pin Layout (viewed from component side) and Windings Schematics:



Spacing between pins:

2.54 mm (0.1")

Spacing between rows of pins:

22.86 mm (0.9")

Weight:

65 g

Rec. PCB hole diameter:

1.5 mm

Static resistance of each primary (average):

45 Ω

Static resistance of each secondary (average):

45 Ω

Max. primary level (primaries in series)

+30 dBU @ 50 Hz

Leakage inductance (windings in series):

< 1 mH

No-load impedance(primaries in series, primary level):

> 750 Ω @ 50 Hz, +20 dBU

Balance of output (according to IRT, source < 10 Ω, Load 600 Ω):

> 55 dB

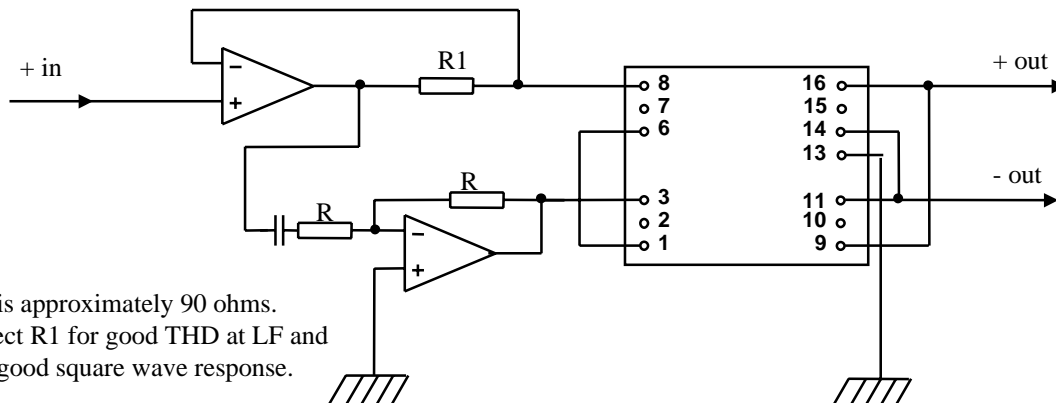
Frequency response (source 10 Ω, load 600 Ω, 0 dBU):

10 Hz -- 100 KHz +/- 0.3 dB

**Isolation between primary and secondary windings/
between windings and core:**

4 kV / 2 kV

Fundamental design of driving circuitry, mixed feedback, 2:1, suggested by A. Offenberg, NRK



R1 is approximately 90 ohms.
Select R1 for good THD at LF and
for good square wave response.