

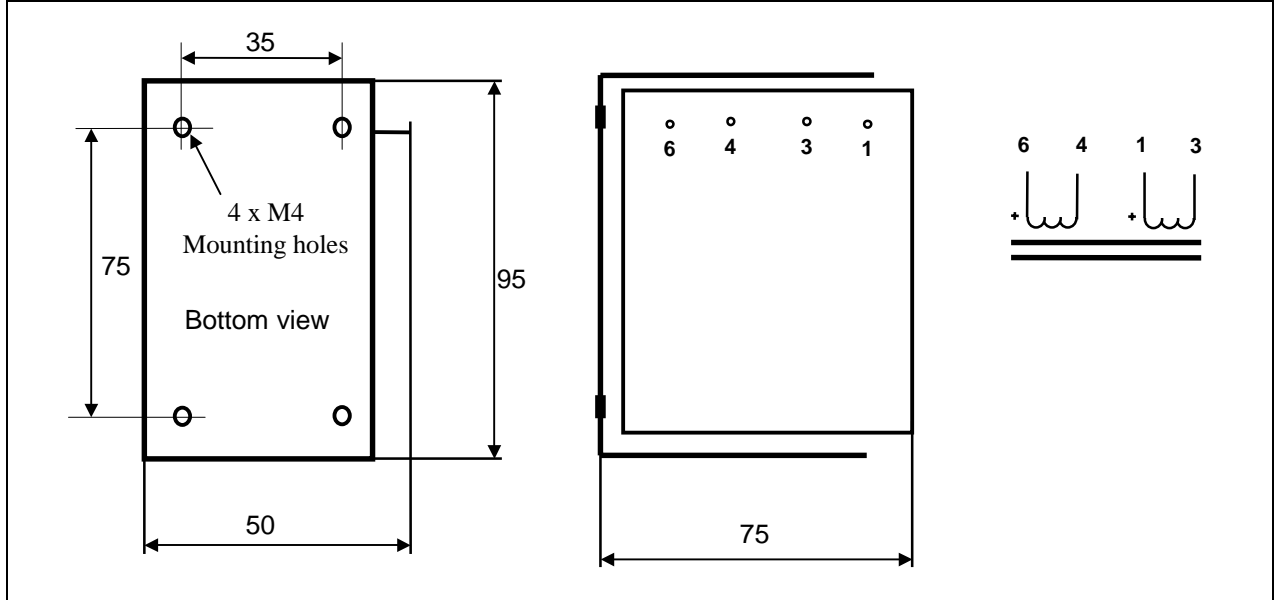
Choke LL1673

The LL1673 is a 2 coils choke for tube amplifier anode supply.

The choke is available with different core air-gap, which results in different inductance and DC current capability. LL1673 can be used in choke input and cap input applications.

The coil is wound using our standard high internal isolation technique with isolation foil between each copper layer. The core is an audio C-core of our own production.

Winding schematics, physical dimensions, pin and mounting hole layout (all dimensions in mm)



Weight:

1.35 kg

Static resistance of each winding:

30 Ω

Isolation between windings / between windings and core:

4 kV / 2 kV

Type	Coils in series			Coils in parallel		
	In-ductance	Recommended DC current	Saturating current	In-ductance	Recommended DC current	Saturating current
LL1673 / 10 H	10 H	200 mA	290 mA	2.5 H	400 mA	580 mA
LL1673 / 15 H	15 H	140 mA	200 mA	3.75 H	280 mA	400 mA
LL1673 / 20 H	20 H	100 mA	145 mA	5 H	200 mA	290 mA
Max. ripple voltage at rec. DC current	400V rms / 100 Hz			200V rms / 100 Hz		

Suggested connections:

