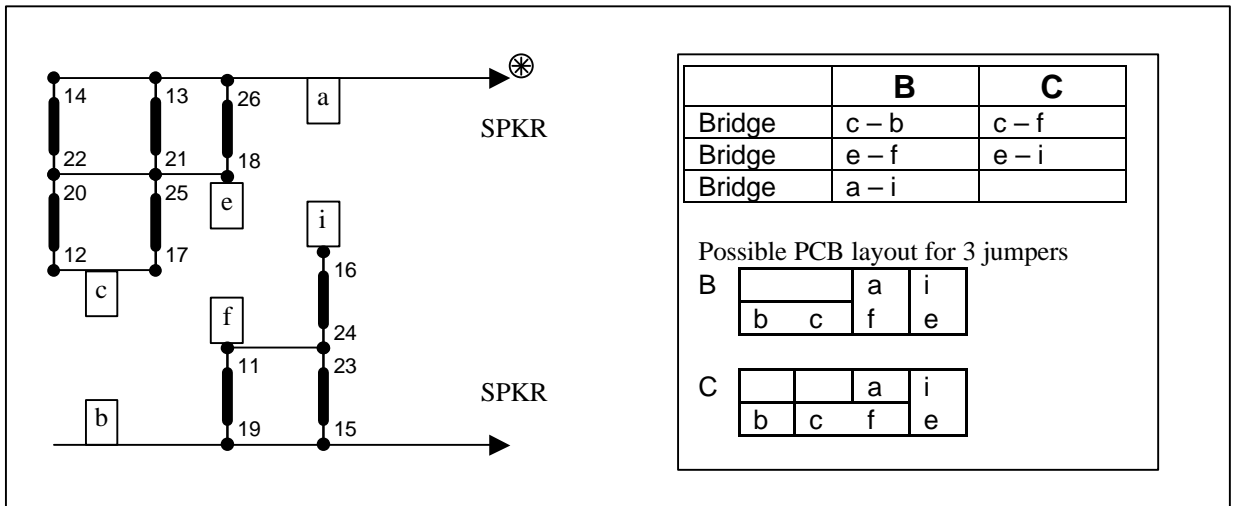


LL1620, LL1623, LL1627

Suggested connection diagram for simplified switching between different output impedance.

Switch between secondary connections B and C

(numbers refer to LL1620, LL1623, LL1627 secondary taps)



Switch between secondary connections C and D

(numbers refer to LL1620, LL1623, LL1627 secondary taps)

