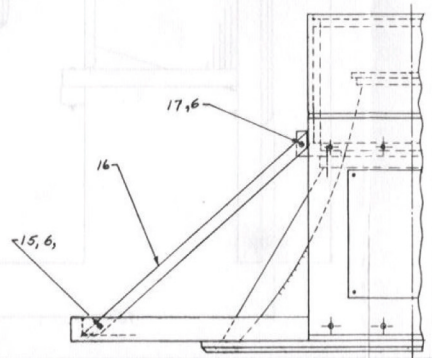
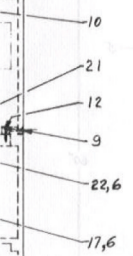


SHADING INDICATES MICROLITE PADS NAILED IN PLACE. COMPRESSED AREAS ON ACCESS PANEL APPROX. 3/8" THICK AND Ø DIA. NO PADS ON FRONT.

EXPLODED VIEW OF SPEAKER ENCLOSURE "A"



| STOCK LIST | | | | |
|------------|------------|---------|---|---|
| REQ. | QTY. | ITEM | NAME | |
| 1 | R-78180(0) | 1 | BAFFLE ASSEMBLY | |
| 1 | R-78180(0) | 2 | BAFFLE ASSEMBLY | |
| 1 | R-78180(0) | 3 | BAFFLE ASSEMBLY | |
| 1 | R-78180(0) | 4 | BAFFLE ASSEMBLY | |
| 8 | - | 5 | CARRIAGE BOLT WITH SQUARE NUT - 1/2 DIA X 9 LG. BLACK STEEL | |
| 62 | - | 6 | WASHER - 1/4 PLAIN STEEL | |
| 1 | F-78181(0) | 7 | HORN ASSEMBLY | |
| 1 | F-78182(0) | 8 | SPEAKER ENCLOSURE ASSEMBLY | |
| 16 | - | 9 | SCREW - 1/4 X 20 X 1 1/2 FL. HD. MAGN. ST. CAD. PL. | |
| 8 | - | 10 | SCREW - 1/4 X 20 X 2 RD. HD. MAGN. ST. CAD. PL. | |
| NOTE 2. | 0-78183(3) | 11 | HIGH FREQUENCY SLED | |
| 12 | - | 12 | SCREW - #10 X 1 1/2 LG. FL. HD. WOOD ST. CAD. PL. | |
| 4 | - | 13 | SCREW - #14 X 2 LG. FL. HD. WOOD ST. CAD. PL. | |
| 1 | 0-78183(1) | 14 | BRIDGE PANEL | |
| 4 | - | 15 | CARRIAGE BOLT WITH SQUARE NUT - 1/2 DIA X 5 LG. BLACK STEEL | |
| 4 | 0-78183(2) | 16 | BRACE | |
| NOTE 1. | 28 | - | 17 | CARRIAGE BOLT WITH SQUARE NUT - 1/2 DIA X 6 LG. BLACK STEEL |
| 25 FT. | - | 18 | MICROLITE GLASS FIBER #8-305, 1" THICK, 18" WIDE ROLL | |
| 75 | - | 19 | NAILS - 1 1/4 LG. 3/8 DIA. HEAD, BLUED PLASTER BOARD | |
| 25 | - | 20 | NAILS - 7/16 LG. 3/8 DIA. HEAD, AMERICAN FELT TOOPING | |
| 2 | 0-78187(2) | 21 | DAMPING MEMBRANE ASSEMBLY | |
| 22 | - | 22 | CARRIAGE BOLT WITH SQUARE NUT - 1/2 DIA X 3 LG. BLACK STEEL | |
| NOTE 3. | 1 | P-79117 | 23 | ASSEMBLY INSTRUCTIONS |
| NOTE 3 | 1 | R-78178 | 24 | MAIN ASSEMBLY DRAWING |

NOTES -

- MICROLITE GLASS FIBER INSULATING WOV. SUPPLIER- GLASS FIBERS INC., 1810 MADISON AVE, TOLEDO 2, OHIO; OR EQUIVALENT.
- TO BE LOCATED AS REQUIRED AT TIME OF INSTALLATION.
- ONE COPY OF ASSEMBLY INSTRUCTIONS ITEM 23 AND MAIN ASSEMBLY DRAWING ITEM 24 TO BE SUPPLIED IN MANILA ENVELOPE.

P-78179 DRAWING LIST

| | |
|-------------------------------|-----------------------------|
| ASSOCIATED DRAWINGS | |
| T-8208 BAFFLE & HORN ASSEMBLY | |
| MAIN ASSEMBLY | |
| WESTREX CORPORATION | |
| HOLLYWOOD DIVISION | |
| DESIGNED BY: <u>EEB/SLA</u> | CHECKED: <u>[Signature]</u> |
| DATE: <u>2-5-52</u> | SCALE: <u>1/8"</u> |
| R-78178 | |