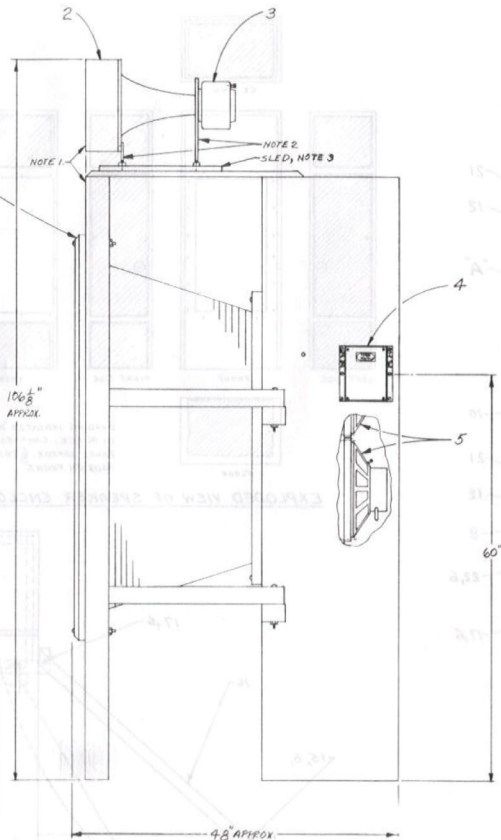
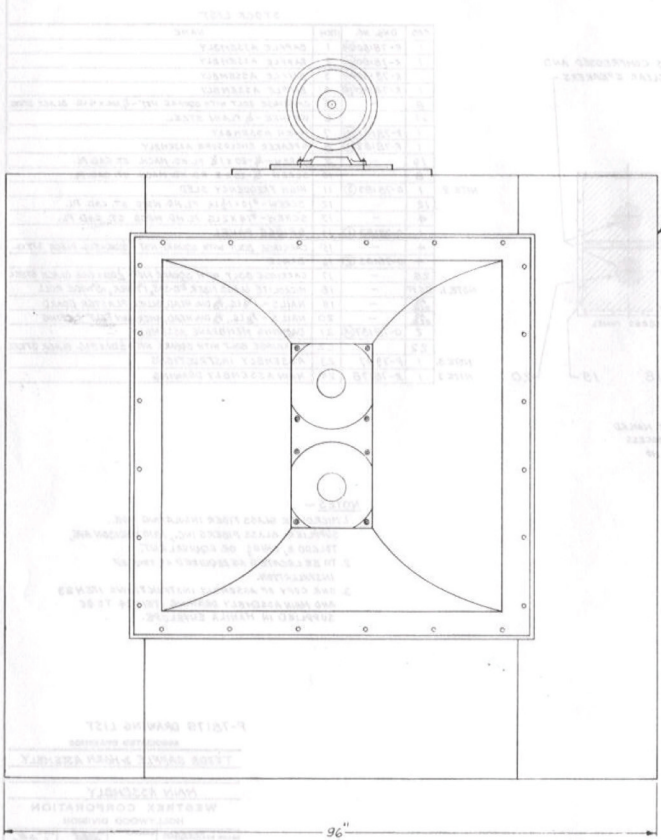




FILE 4.22

LOUDSPEAKER SYSTEMS  
WESTREX T500 SERIES  
DWGS. R-79034, R-78178, P-79117  
3 PAGES - PAGE 1

BULLETIN NO. 263



NOTES ~

1. NORMALLY FOR THE FACE OF THE CABINET TO BE FLUSH WITH THE SURFACE SHOWN.
2. THE SHORT BRACKET IS MOUNTED ON THE BACK OF THE CABINET WHICH FASTENS TO THE SURFACE TO WHICH ITEM 4, USING THE SCREW WHICH FASTENS SPEAKER TO CABINET. BRACKET IS OF ALUMINUM AND MAY BE ADJUSTED TO BE FLUSH WITH THE SURFACE.
3. THE HIGH FREQUENCY DRIVER SHOULD BE MOUNTED TO BE FASTENED TO THE SURFACE. PHASING ADJUSTMENT IS PROVIDED.

REQ	QTY
1	1
1	1
1	1
2	2

R-79034