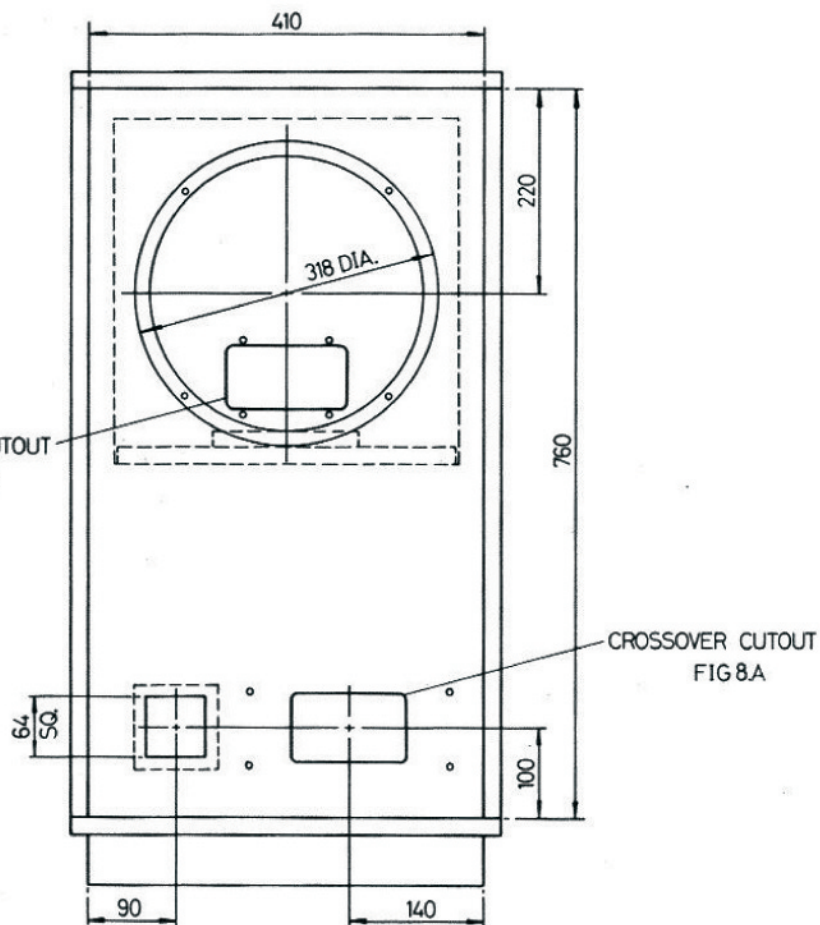


TERMINAL CUTOUT  
FIG 8.B



**TANNOY**<sup>®</sup>

**Cheviot Equivalent**  
*Drive system HPD 315A*  
*Internal volume 65 litres*