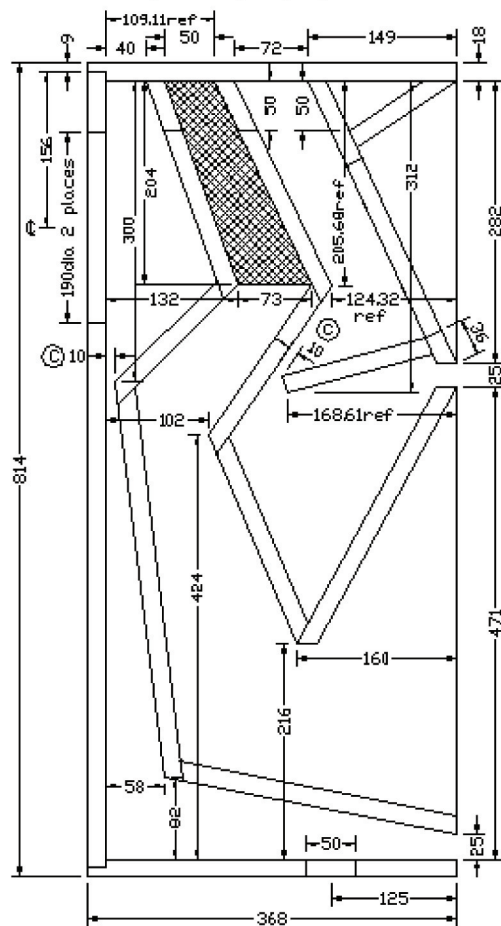


Lowther *Blair* 2000  
 Protected by Patent Application:  
 No: 8134117

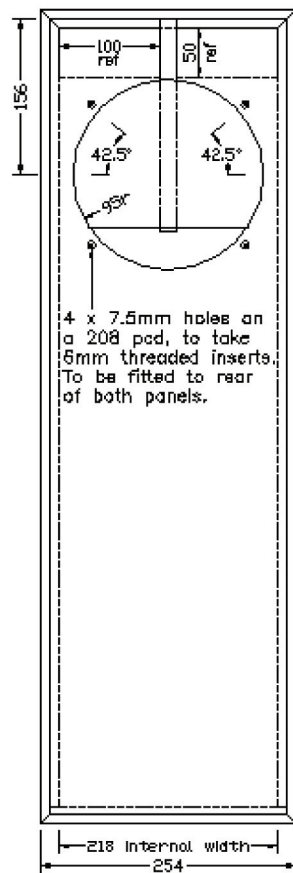
Drawing No: /AUG/83/RPH.

Lowther Loudspeakers Limited,  
 P.O. Box 184, Sidcup, Kent DA14 4NL  
 ENGLAND UK  
 Telephone: +44 20 8300 9166  
 Fax: +44 20 8308 0776

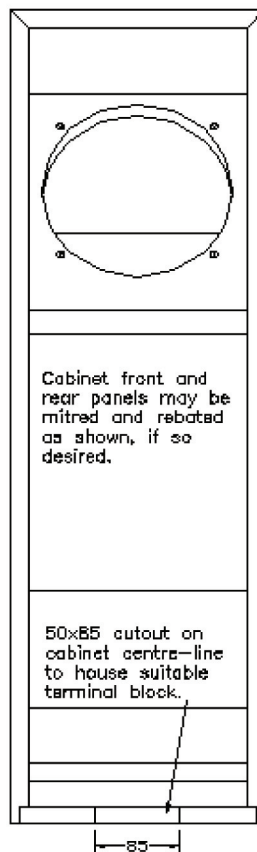
Website: <http://www.lowtherloudspeakers.co.uk>  
<http://www.lowtherloudspeakers.com>  
 e-mail: [sales@lowtherloudspeakers.co.uk](mailto:sales@lowtherloudspeakers.co.uk)  
[sales@lowtherloudspeakers.com](mailto:sales@lowtherloudspeakers.com)



Side View.



Front View.



Rear View.

4 x 7.5mm holes on a 208 pd, to take 5mm threaded inserts. To be fitted to rear of both panels.

Cabinet front and rear panels may be mitted and rebated as shown, if so desired.

Material: 18mm MDF unless stated otherwise. See cutting list/dwg for details.

Note: Dimensions marked © are important.



Denotes internal dividing panel, positioned on the cabinet centre line to make two separate air channels. Adjacent panel cutouts are 50x100. Each opens onto opposite sides of the baffle.