

Lowther "Acadade Four"

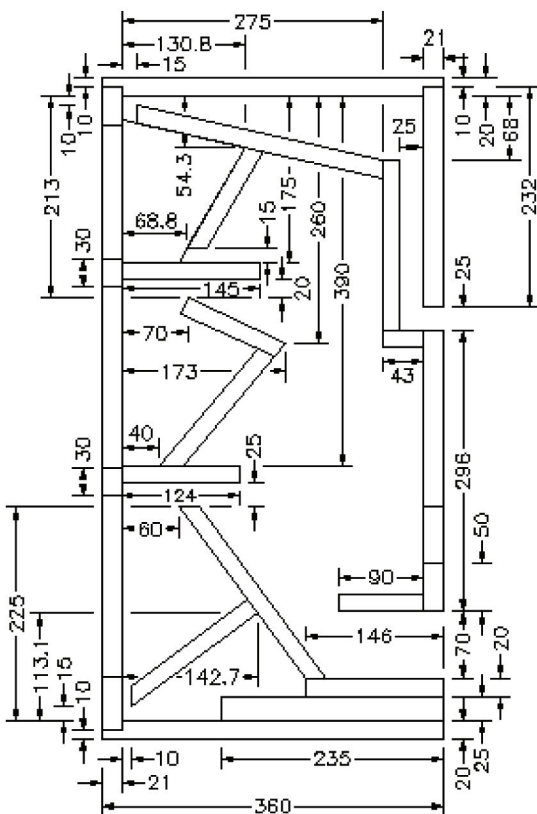
All rights to this design remain the property of Lowther Loudspeaker Systems Ltd.

Dwg No: 2077/APR/89/NRH Scale: FULL Sheet 1 of 2

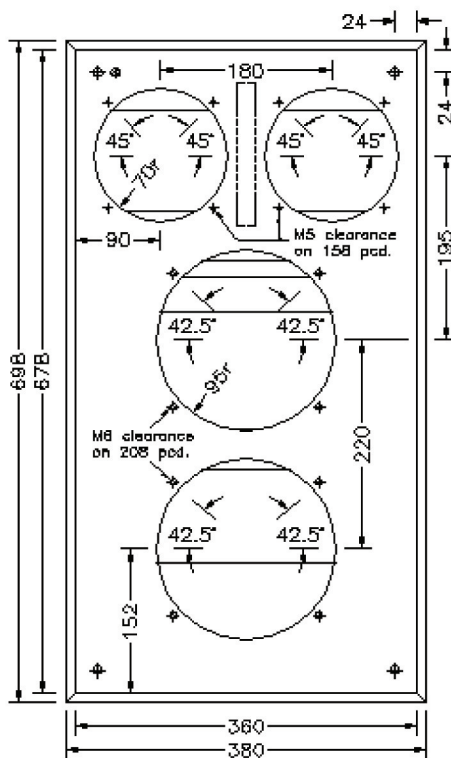
Material: 18mm thick, unless shown otherwise. See sheet 2 for notes.

Lowther Loudspeaker Systems Limited.  
P.O. Box 184, Sidcup, Kent DA14 4NL  
ENGLAND UK  
Telephone: +44 20 8300 9188  
Fax: +44 20 8308 0778

Website: <http://www.lowtherloudspeakers.co.uk>  
<http://www.lowtherloudspeakers.com>  
e-mail: [sales@lowtherloudspeakers.co.uk](mailto:sales@lowtherloudspeakers.co.uk)  
[sales@lowtherloudspeakers.com](mailto:sales@lowtherloudspeakers.com)



4 x M10 holes through panel and c/bored M16 to 2mm depth. Fit EELON nylon sockets, Pt No. 2690/5



It is highly recommended that hard wood gauges be created to correctly align ALL air-gaps. Dimensions of these air-gaps are quite critical and measurements as shown should be maintained as closely as possible.

