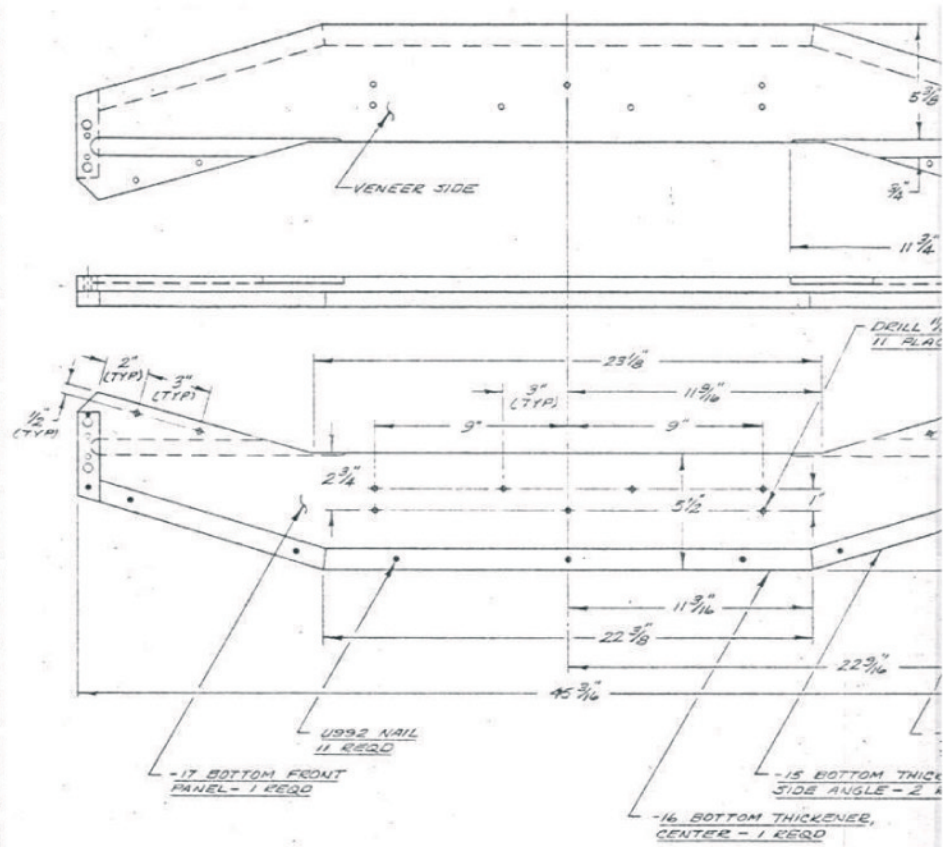
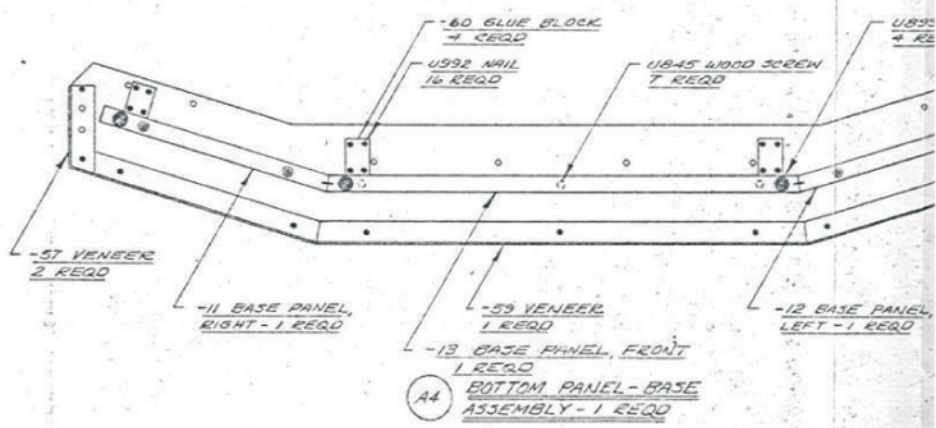


- NOTE:**
- 18 & -20 SHOULD BE GLUED TOGETHER FIRMLY, THEN MACHINED TO DIMENSIONS SHOWN IN TOP VIEW.
 - DRILL 3/8" DIAMETER HOLES IN 4 PLACES SHOWN - INSTALL W405 SPIRAL DOWELS.
 - ASSEMBLE -18 & -56 AFTER MACHINING.

A3 OUTER SIDE PANEL ASSEMBLY - 2 REQD



- NOTE:**
- GLUE AND NAIL PARTS FIRMLY TOGETHER AND MACHINE TO DIMENSIONS SHOWN ABOVE.
 - DRILL 3/8" DIA DOWEL HOLES AFTER ASSEMBLY HAS BEEN MACHINED.
 - CONTINUE ASSEMBLY AS SHOWN BELOW.



A4 BOTTOM PANEL - BASE ASSEMBLY - 1 REQD