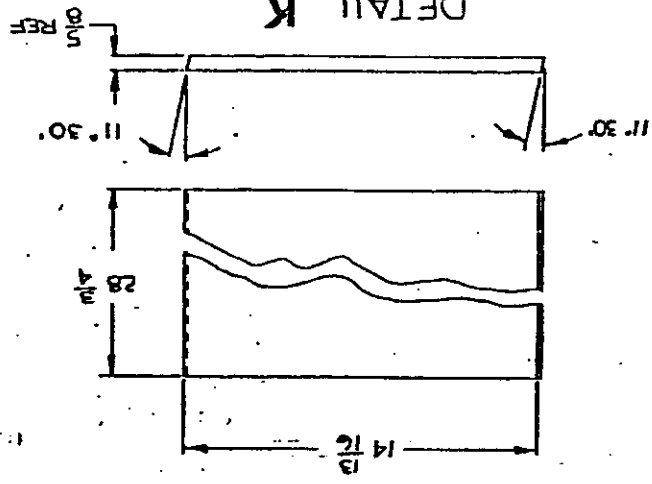


REV	DATE	DESCRIPTION	BY	CHECKED	APPROVED
1					
2					
3					
4					
5					
6					
7					
8					
9					
10					
11					
12					
13					
14					
15					
16					
17					
18					
19					
20					

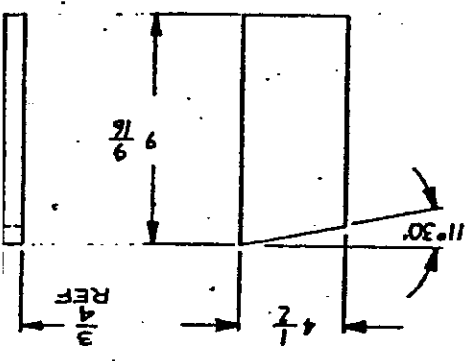
BOX ASSY

FILE COPY

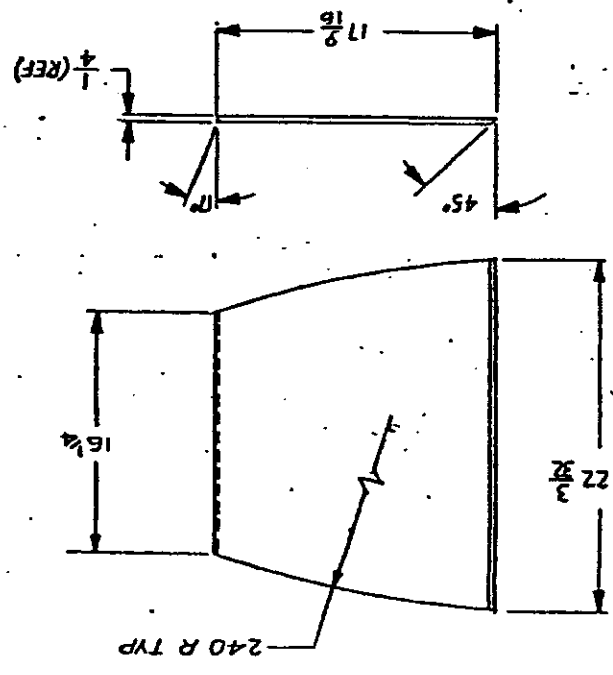
DETAIL K
SCALE: 1/4
ITEM ⑤



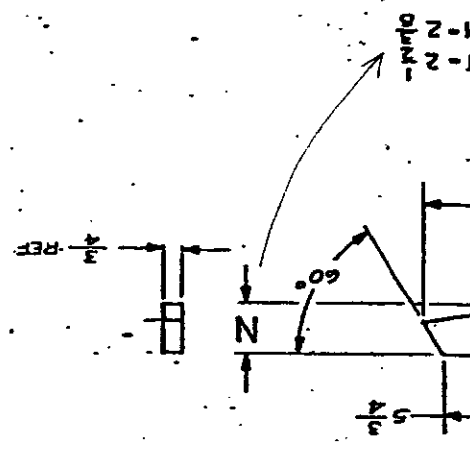
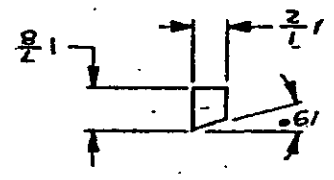
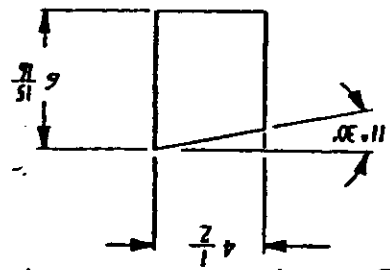
DETAIL J
SCALE: 1/4
ITEM ⑥



DETAIL H
SCALE: NONE
ITEM ⑥



DETAIL G
SCALE: 1/4
ITEM ②



M-2
M-2
DARK