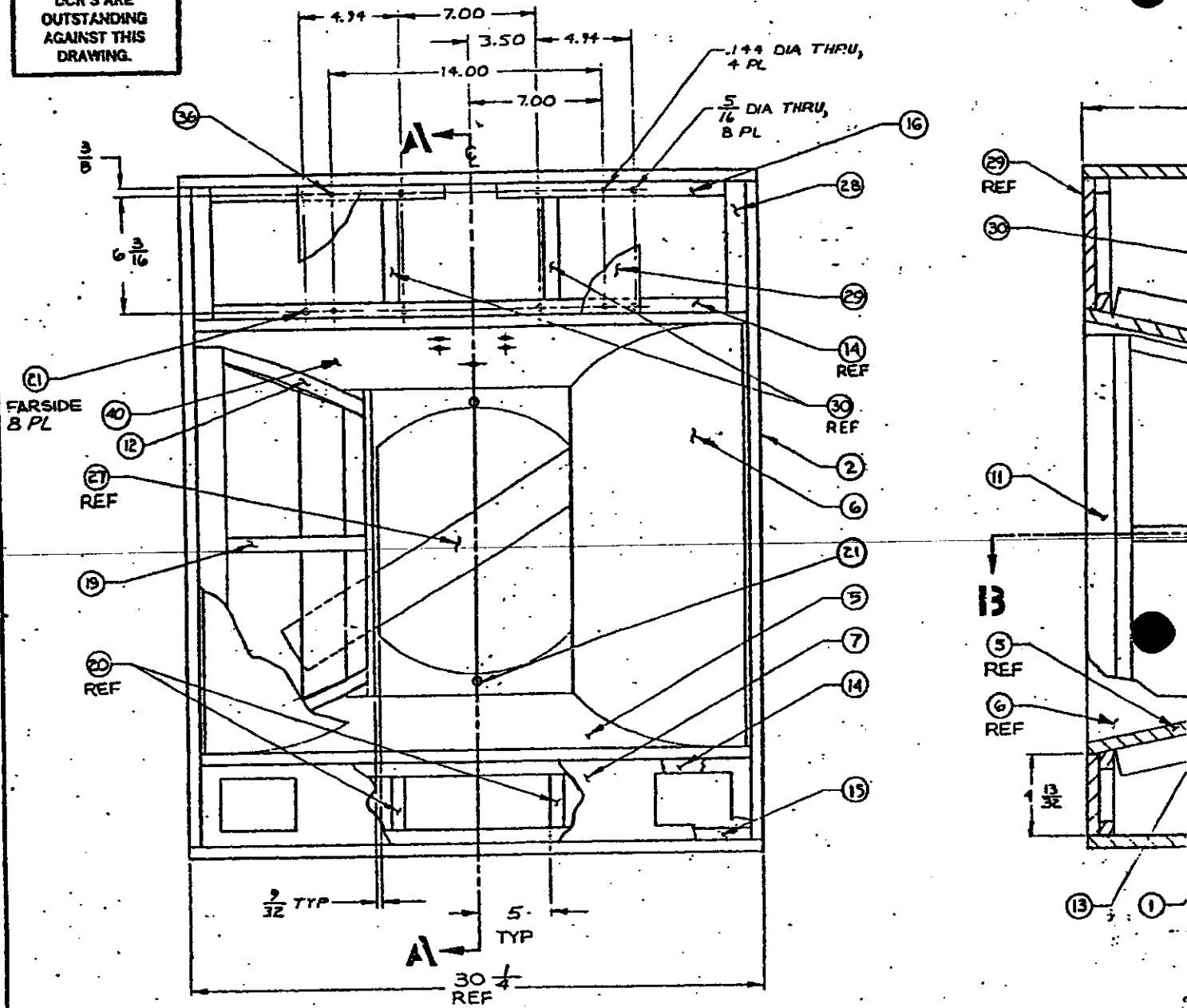


NOTICE

THE FOLLOWING
 DCR'S ARE
 OUTSTANDING
 AGAINST THIS
 DRAWING.



- 5 LOGO SHALL BE CENTERED & SILKSCREENED ON BOTH SIDES AS SHOWN; PER JBL SUPPLIED ARTWORK * 57642, REV A. *JBL* & BORDER SHALL BE OFF-WHITE PER FED STD 595 & * 377 PAINT WITH ITEM 34.
4. PAINT ALL EXTERIOR SURFACES WITH ITEM 39.
3. ITEM 27 TO BE CENTERED DIAGONALLY & SECURED IN PLACE ON ITEM 4 AS SHOWN.
2. ITEMS 23 THRU 26 (NOT SHOWN) TO BE GLUED TO PANELS.
1. ALL MATING SURFACES TO BE JOINED WITH ITEM 35 & ITEM 32, EXCEPT AS NOTED.
- NOTES: (UNLESS OTHERWISE SPECIFIED)