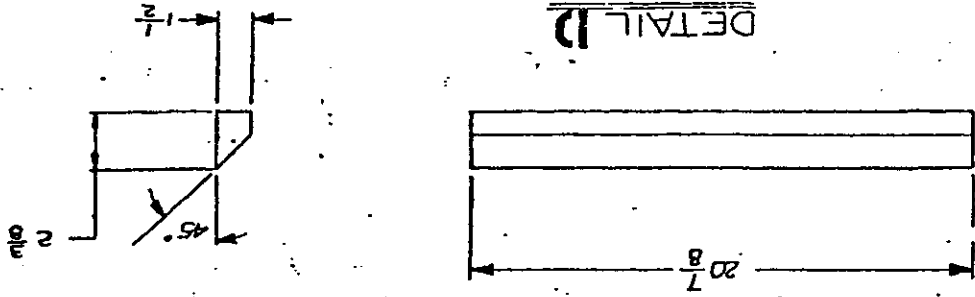
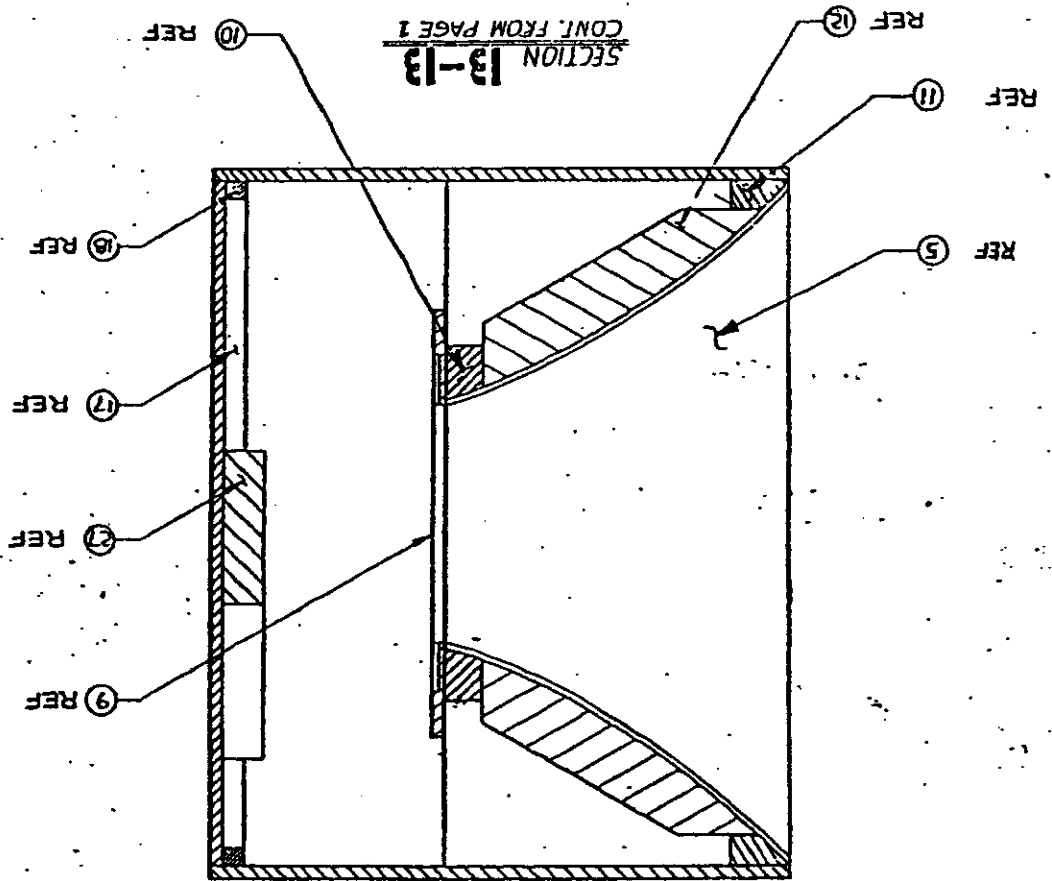


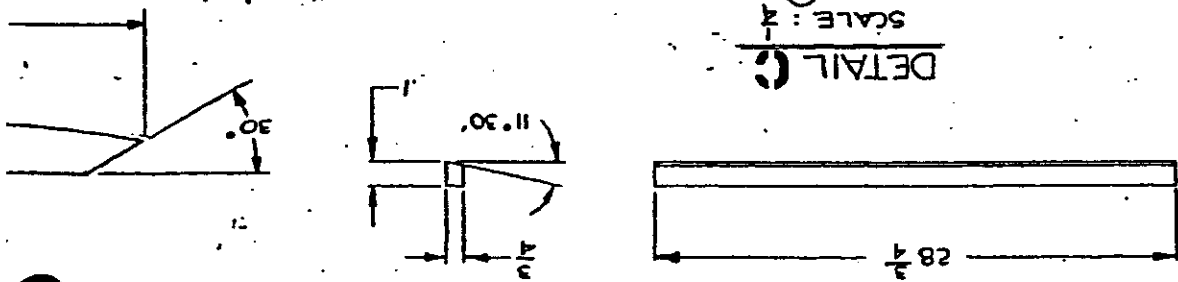
DETAIL D
SCALE: $\frac{1}{4}$
ITEM 11



SECTION 13-13
CONT. FROM PAGE 1

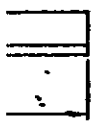
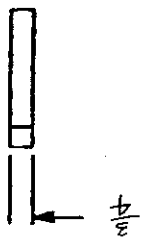


DETAIL C
SCALE: $\frac{1}{4}$
ITEM 19



NOTICE
THE FOLLOWING
DCR'S ARE
OUTSTANDING
AGAINST THIS
DRAWING.

THIS DRAWING AND SPECIFICATIONS ARE THE PROPERTY OF AMES B. LAMSON ENGINEERING, INC. AND ARE MADE IN EXACT COMPLIANCE WITH ALL FEDERAL, STATE, AND LOCAL REQUIREMENTS. ANY REPRODUCTION OR MODIFICATION WITHOUT WRITTEN PERMISSION IS STRICTLY PROHIBITED.



DET
SC
I
I