

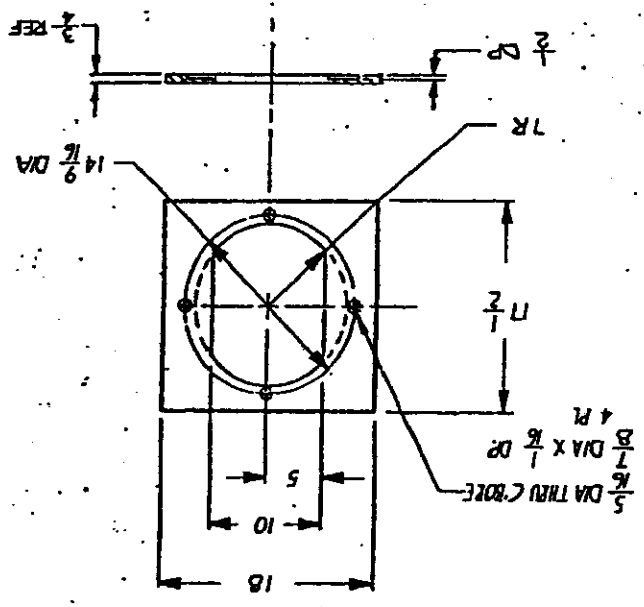
| | | | | |
|-----|------|----|------|-------------|
| REV | DATE | BY | CHKD | DESCRIPTION |
| 1 | | | | SEE 2M |
| 2 | | | | |
| 3 | | | | |
| 4 | | | | |
| 5 | | | | |
| 6 | | | | |
| 7 | | | | |
| 8 | | | | |
| 9 | | | | |
| 10 | | | | |
| 11 | | | | |
| 12 | | | | |
| 13 | | | | |
| 14 | | | | |
| 15 | | | | |
| 16 | | | | |
| 17 | | | | |
| 18 | | | | |
| 19 | | | | |
| 20 | | | | |

BOY ASSY

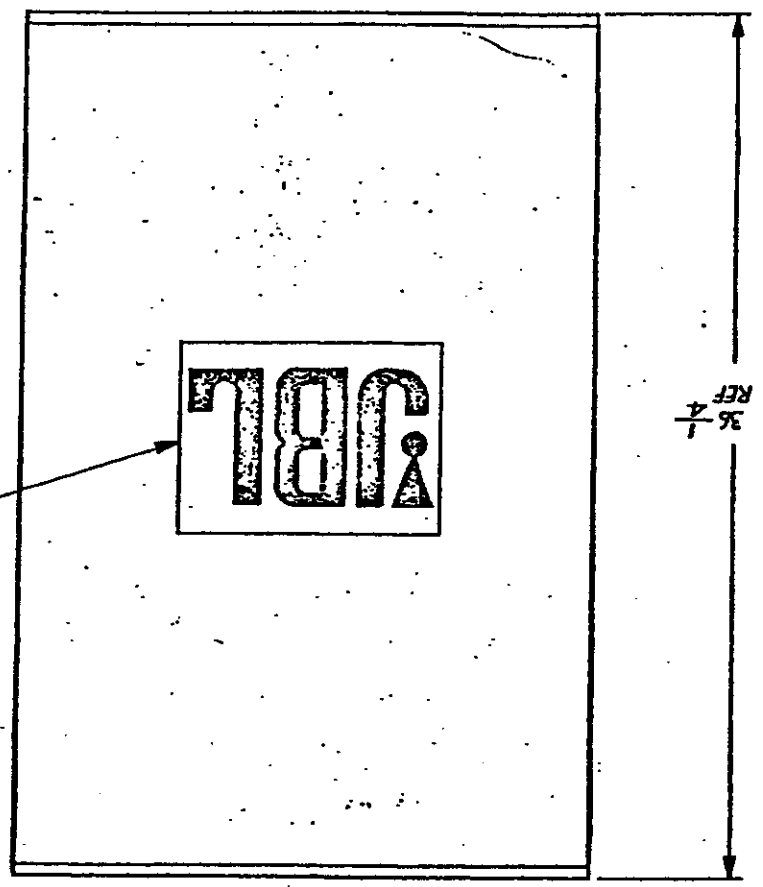
SCALE: 1/4 ITEM 3

THE COPY

DETAIL L



SIDE VIEW



SCALE: 1/4

DETAIL M

