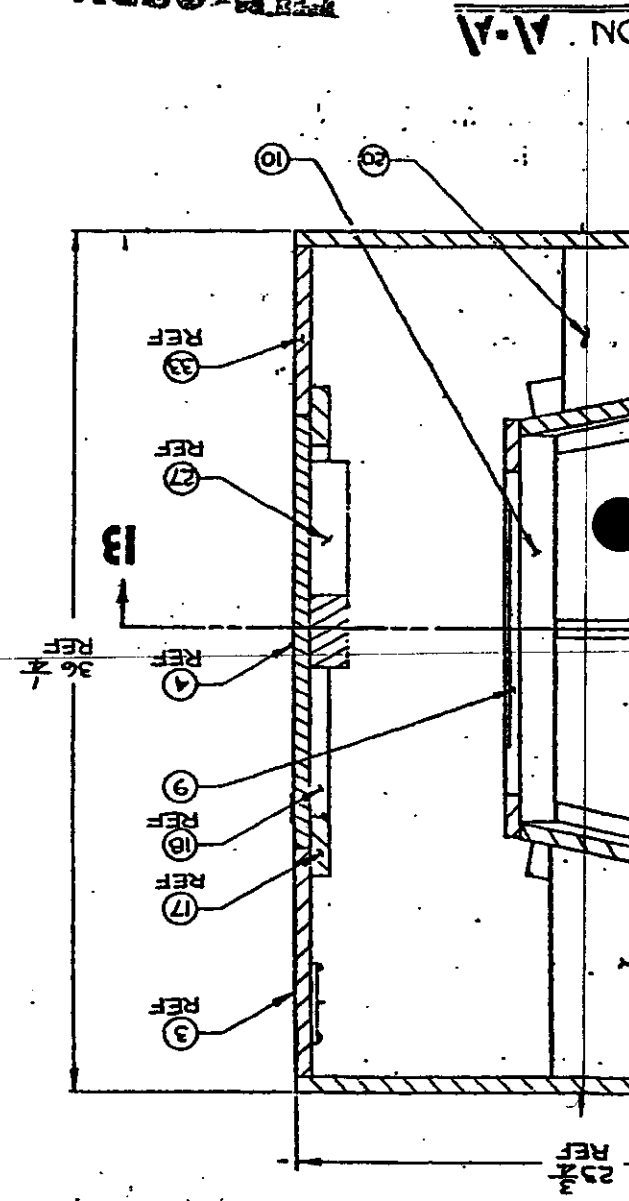


ITEM	PART NUMBER	DESCRIPTION	QTY	REMARKS
47	6363	NAIL, CEMENT COATED	24	
46	12806	FOAM TAPE	2	
45	48268	SPOT NAIL	90	
44	5015	2" STAPLE	3	
43	5031	1/2" STAPLE	10	
42	3327	1/4" STAPLE	21	
41	5931	1/8" STAPLE	86	
40	6035	UPPER RAMP	1	39896
39	20905	PAINT, BLACK		
38	60689-01	TERML PAD ASSY	1	
37	57609	HOLE COVER ASSY	1	
36	27372	SCREW, 8-1 1/2"	4	
35	210685	ADHESIVE	.055	
34	56735	PAINT	.002	
33	57427	PANEL, BACK LOWER, 7 1/4" X 28 3/4" X 3/4"	1	20857
32	48275	BRAD	90	
31				
30	57295	STIFFENER, DETAIL J	2	20857
29	65244	COVER, HORN	1	20889-0
28	57293	FILER, 1 X 6 1/4" X 5/8"	2	20889-0
27	39917	STIFFENER, 1 1/2" X 3 3/4" X 22	1	22670
26	39916	PADDING, BACK	2	47224
25	39915	PADDING, BACK	2	47224
24	39913	PADDING, TOP & BOTTOM	2	47224
23	39912	PADDING, SIDE	2	47224
22	22372	SCREW, 8 X 1 1/2" FLH PH	14	
21	21904	T-NUT, 1/2" - 20 X 1/2"	12	
20	58345	STIFFENER, DETAIL G	2	20857
19	62277	MID HORN MEMBER, DETAIL E	2	20857
18	39909	CLEAT, BACK	2	55888
17	39908	CLEAT, BACK, 2 1/2" X 28 3/4" X 3/4"	2	22680
16	60479	CLEAT, PORT, UPPER, 12 X 3/4" X 3/8"	2	55888
15	57429	CLEAT, PORT, LOWER	1	55888
14	58344	CLEAT, RAMP, DETAIL C	2	22680
13	39904	SUPPORT, RAMP, 1 1/2" X 12 1/2" X 3/4"	4	20857
12	39903	HORN MEMBER, DETAIL E	4	20857
11	39902	CLEAT, HORN, DETAIL D	2	22670
10	39901	CLEAT, HORN, DETAIL F	2	22670
9	39900	BAFFLE PANEL, 17 1/2" X 18 3/4"	1	DET. 20857
8	13184	SCREW, #6-32 X 1 1/4" FL HD	8	
7	59938	PANEL, PORT	1	20889-0
6	39897	HORN SIDE, DETAIL H	2	60238
5	39896	LOWER RAMP, DETAIL K	1	39891
4	39895	COVER, BACK, 17 1/2" X 28 3/4" X 3/4"	1	20857
3	57426	PANEL, BACK UPPER, 9 1/2" X 28 3/4" X 3/4"	1	20857
2	39893	PANEL, SIDE, 23 1/2" X 54 3/4" X 3/4"	2	20857
1	39892	PANEL, TOP & BOTTOM, 23 1/2" X 30 1/4" X 3/4"	2	20857

ITEM	DESCRIPTION	QTY	REMARKS
1429	T 6524 WAS 97452	58	
1430	S ITEM 16 RNF0617.2 TY 2 WAS QTY 1 58		
1431	R DIM 17 3/4 WAS 17 3/4		
1432	ADDED ITEMS 41 THRU 47		
1433	PN 1318 WAS 1318		
1434	ADD PH 6227, REV 2 QTY 14 WAS 14		
1435	ITEM 1/2 WAS 1/2 - 17 3/4 WAS 17 3/4		
1436	REV PER DCN		
1437	ITEM 3 WAS 3 - 5 1/4 FL HD		
1438	5 SMT 2, DETAIL L, 3 BORE DP + LASK		
1439	REV PER DCN		
1440	REV PER DCN		

THE COPY



1-A-1

BOX ASSY