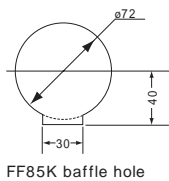
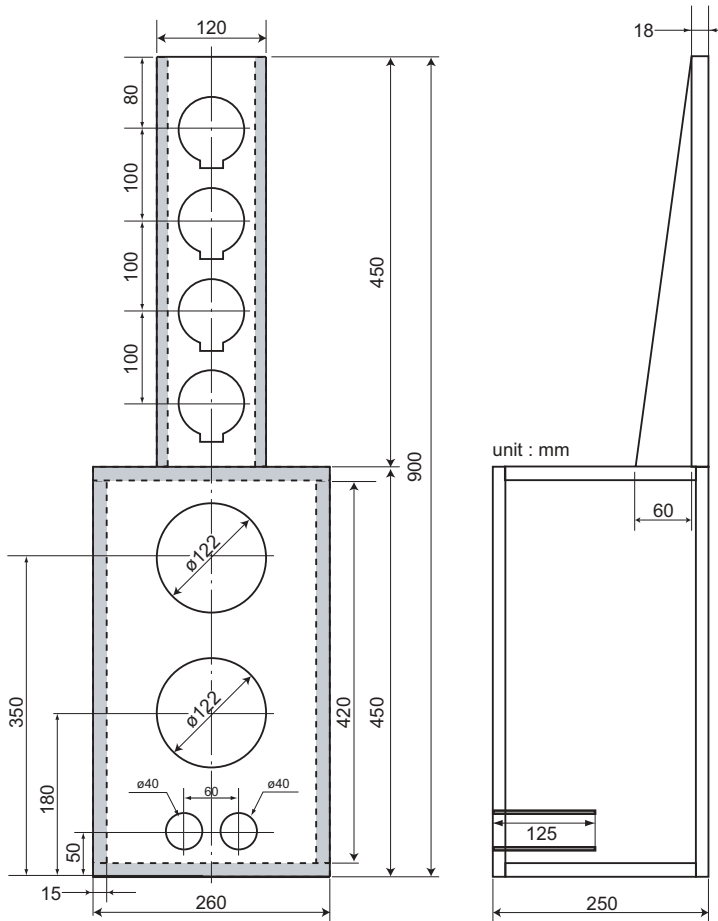


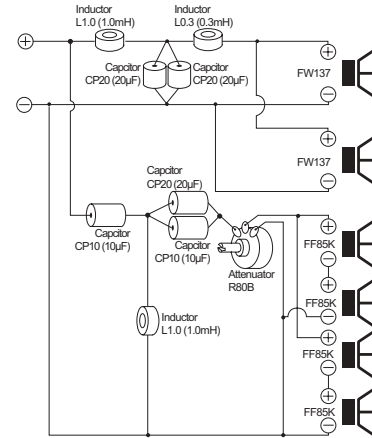
FW137/ FF85K

FW137x2 + FF85Kx4 'Tall Boy' type Bass Reflex Enclosure



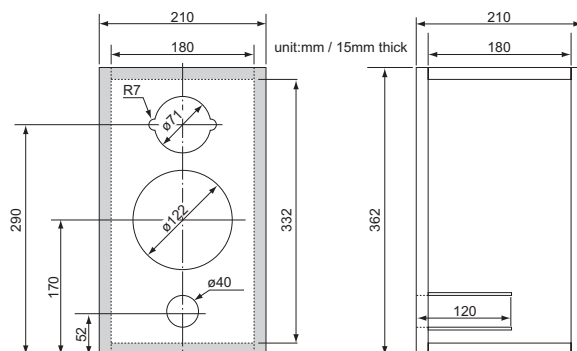
FF85K baffle hole

- The bottom enclosure naturally enhances FW137's frequency higher than 55Hz.
- Crossover network is set to 18dB/oct. By the in-phase connection to minimize multi FF85K's friction, it also intends to strengthen FF85K's input endurance.
- Model R80B attenuator is equipped for variable high frequency level control.



- Using FF85K/4pcs makes vertical directivity wider and mid-high frequencies extended. Adding 2pcs of FW137 woofers, low frequency is sufficiently added. Employing open-back baffle for FF85Ks, unwanted low frequency is naturally attenuated while mid-high frequency being kept intact.
- The double bass reflex ports are designed with the same length and tuning. It is also possible to change the port's length to enjoy various low sound characteristics.

Bass Reflex Type Enclosure



Example of FW137/FT207D, 2 way standard bass reflex type enclosure. Internal volume is 10 liters tuned to approximately 50Hz (Fb).

